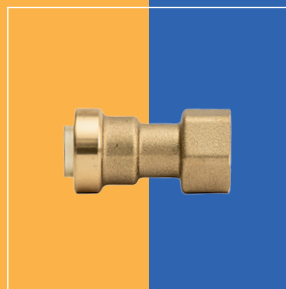
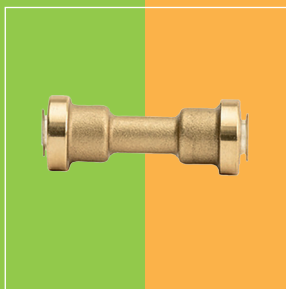
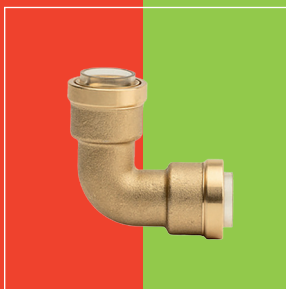


INSTALLATION INSTRUCTIONS

# Rapid-O<sup>®</sup>



VISIT [WWW.RAPID-O.BE](http://WWW.RAPID-O.BE)

[www.rapid-o.be](http://www.rapid-o.be)



Rue de la Royenne 84  
7700 Mouscron, Belgium  
[www.castel-engineering.com](http://www.castel-engineering.com)



**Rapid-O-90°  
Elbow**



**Rapid-O  
Unit Socket**



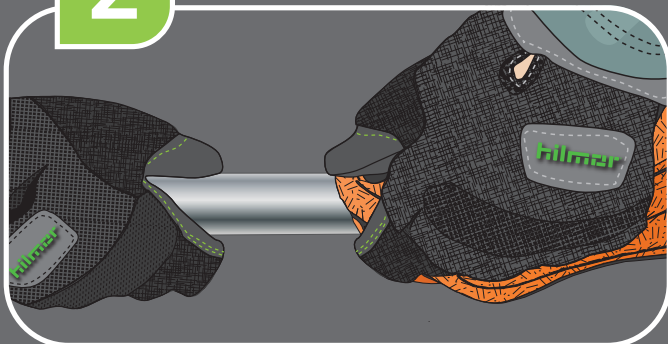
**Rapid-O  
Connection  
Piece**

# 1 CUT IT



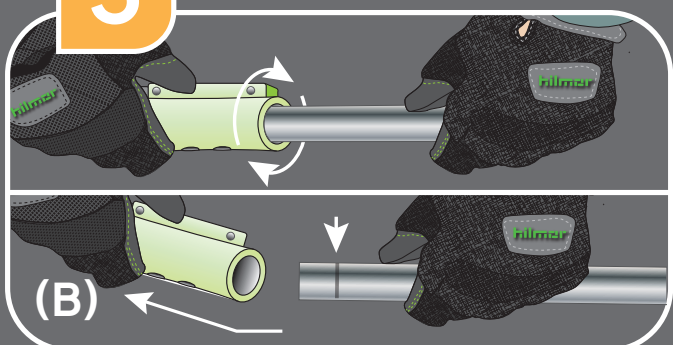
CUT THE TUBE TO LENGTH SQUARELY

# 2 CLEAN & DEBUR



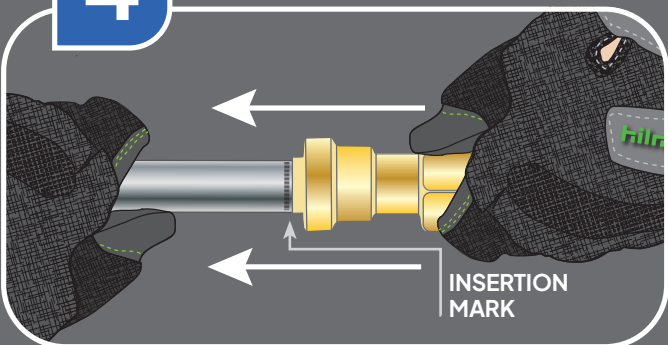
REMOVE DEBRIS FROM TUBE EXTERIOR WITH ABRASIVE CLOTH OR STEEL WOOL IN ROTATING ACTION

# 3 PREPARE IT



MARK (B) INSERTION DEPTH

# 4 PUSH IT



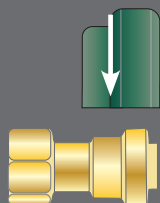
PUSH THE FITTING UNTIL INSERTION MARK REACHES THE END

\* For the socket / flare couplings, always screw the coupling to the thread first and connect to the copper pipe afterwards.

## INSERTION DEPTH

- 1/4" / 27 mm
- 3/8" / 31mm
- 1/2" / 33mm
- 5/8" / 33mm

## REMOVAL



RELEASE TOOL  
SOLD SEPARATELY



Works only for copper

VISIT [WWW.RAPID-O.BE](http://WWW.RAPID-O.BE)



**Warning!** The Rapid-O® fittings can only be used with the following Refrigerant gases:  
R134A, R404A, R290, R407A, R600A, R500, R22, R32, R410A, R407C.  
Operating temperature range -40C° to +121 C° **Maximum pressure 60 Bar**



Rue de la Royenne 84  
7700 Mouscron, Belgium  
[www.castel-engineering.com](http://www.castel-engineering.com)

When using refrigerants classified A2L (lower flammability), A2 (flammable) and A3 (higher flammability) additional/specific standards, local rules and regulations, codes of practice and by-laws may be applicable.





Rapid-O 1/4"



Rapid-O 3/8"

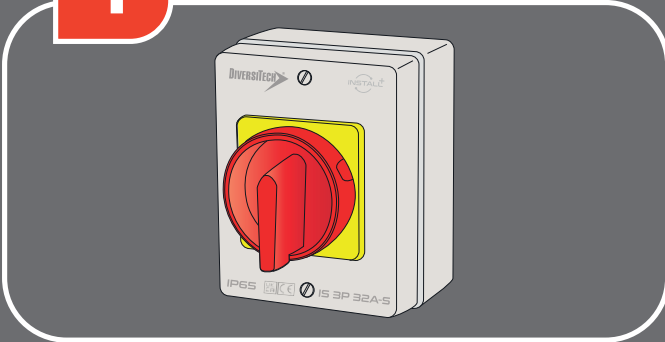


Rapid-O 1/2"



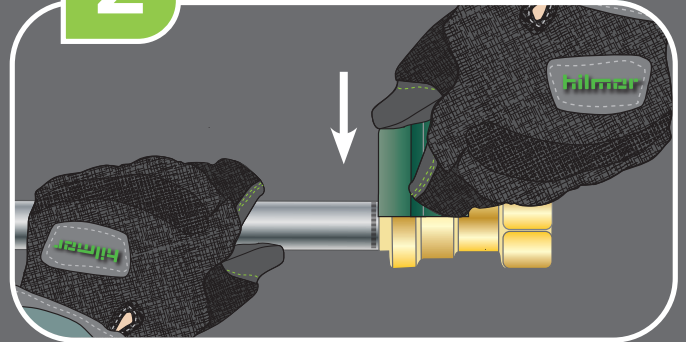
Rapid-O 5/8"

# 1 ISOLATE



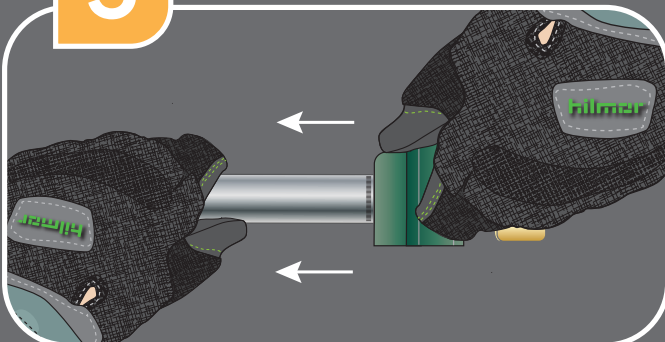
ISOLATE ELECTRICS AND RECOVER ANY SYSTEM REFRIGERANT CHARGE TO LOCAL REGULATIONS

# 2 PRESS



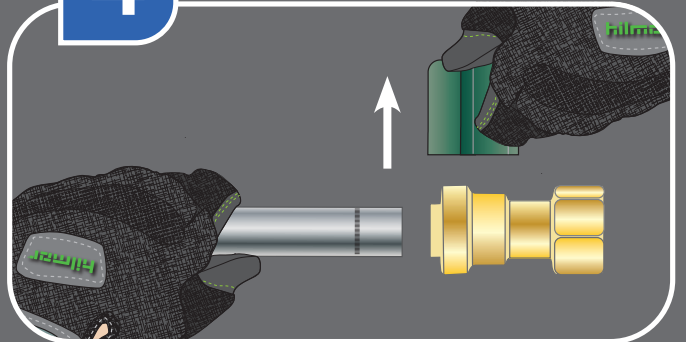
PRESS THE RELEASE TOOL OVER THE END OF THE FITTING

# 3 PULL IT



PULL THE TUBE OUT OF THE FITTING

# 4 REMOVE



REMOVE THE RELEASE TOOL FROM THE FITTING

## RELATED PRODUCTS

- RAPID-O - 1/4" - 1/2" - 3/8" - 5/8" QUICK CONNECT 90° ELBOW
- RAPID-O - 1/4" - 1/2" - 3/8" - 5/8" QUICK CONNECT SOCKET
- RAPID-O - 1/4" - 1/2" - 3/8" - 5/8" QUICK CONNECT UNION
- RAPID-O - 1/4" - 1/2" - 3/8" - 5/8" HVAC QUICK CONNECT MARKING AND REAMER TOOL

Works only for copper

VISIT [WWW.RAPID-O.BE](http://WWW.RAPID-O.BE)



**Warning!** The Rapid-O® fittings can only be used with the following Refrigerant gases:  
 R134A, R404A, R290, R407A, R600A, R500, R22, R32, R410A, R407C.  
 Operating temperature range -40C° to +121 C°



Rue de la Royenne 84  
 7700 Mouscron, Belgium  
[www.castel-engineering.com](http://www.castel-engineering.com)

When using refrigerants classified A2L (lower flammability), A2 (flammable) and A3 (higher flammability) additional/specific standards, local rules and regulations, codes of practice and by-laws may be applicable.

